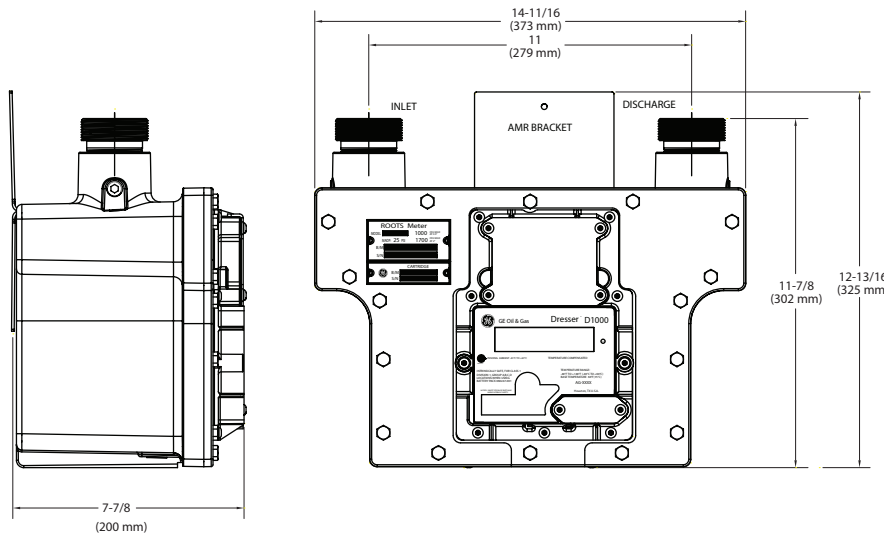
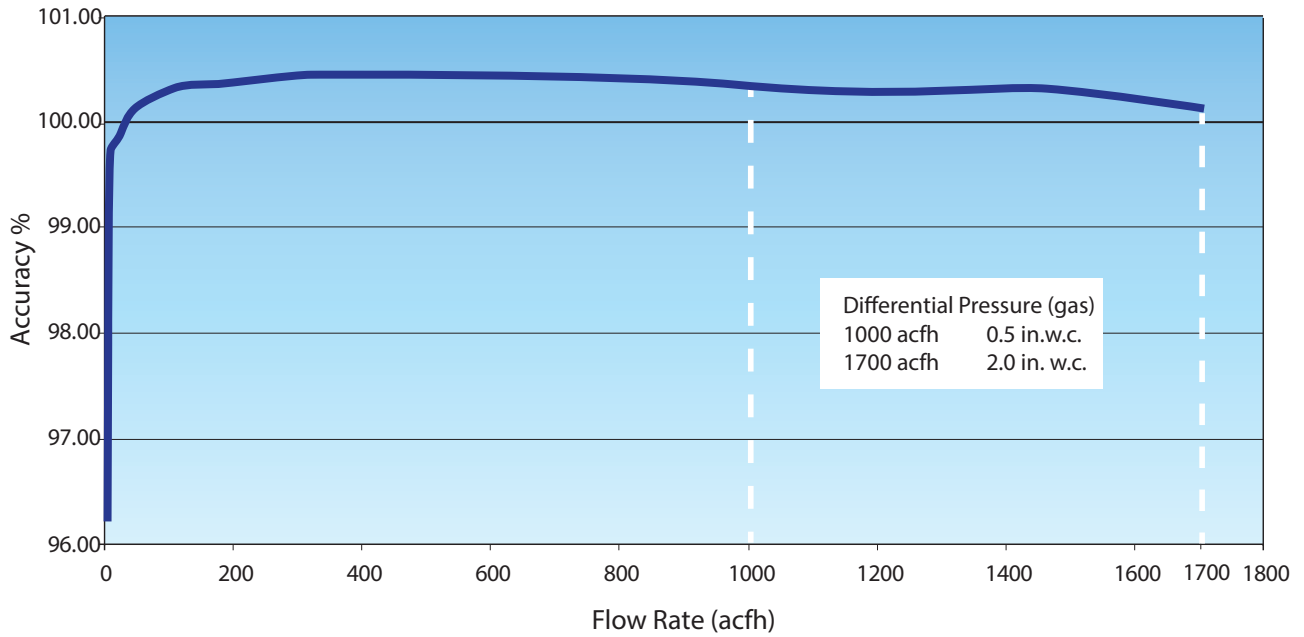


Dresser D1000 Meter

	Units	Imperial	Units	Metric
Base Rating (Q Max) @ 0.5" w.c., Gas	acfh	1000	m ³ /h	28,3
Base Rating (Q Max) @ 2" w.c., Gas		1700		48
Maximum Operating Pressure (MAOP)	psig	25	kPa	172.4
Temperature Range	deg. F	-40°F to + 140°F	deg C	-40°C to +60°C
Leak Test (125% MAOP)	psig	32	kPa	220.6
Static Test (2 x MAOP)	psig	50	kPa	344.7
Rangeability +/- 1% at Qmax = 1000 acfh	ratio	125:1	ratio	125:1
Rangeability +/- 1% at Qmax = 1700 acfh	ratio	212:1	ratio	212:1
Rangeability +/- 2% at Qmax = 1000 acfh	ratio	200:1	ratio	200:1
Rangeability +/- 2% at Qmax = 1700 acfh	ratio	340:1	ratio	340:1
Start Rate	cfh	0.30	m ³ /h	0.0085
Stop Rate	cfh	0.15	m ³ /h	0.0042
Maximum Pressurization Rate	psig/sec	5	kPa	35
Maximum Operating Speed (1700 acfh)	rpm	3825	rpm	3825
Displaced Volume/Revolution	cf	0.007407	m ³	0.000210
Temperature Compensation Range	deg F	-40°F to +140°F	deg C	-40°C to +60°C
Minimum Odometer Reading (under residual volume screen)	cf	0.001	m ³	0.0001
Odometer Multiplier	cf	X100	m ³	X1
Odometer Configuration		5-8 digits		5-8 digits with 0-2 decimals
Ferrule (Spud) Connection		30LT/45LT/#3, #4 Sprague/ #5 Sprague/1-1/2" FNPT		same
Spud to Spud	in.	11	mm	279.4
Net Weight	lbs.	24	kg	10.8
Shipping Weight	lbs.	28.5	kg	13
Carton Size	in.	19 x 12-3/4 x 16	cm	48.26 x 32.385 x 40.64

Advanced Low Flow Capability

From starting flow rate to full capacity the Dresser D1000 meter provides excellent measurement accuracy with superior rangeability and start/stop rates.



Request detailed drawing number - D061029-000

To order:
Specify Dresser D1000 Meter and Ferrule (spud) connection type.

Contact the factory for other available information, options, or special requests.

Note: All performance data is averaged and indicative of meter performance. Individual meter characteristics may vary.

Dresser Measurement
16240 Port Northwest Drive
Houston, TX 77041
T: 1-800-521-1114
F: 1-800-335-5224

The Dresser Logo and all Trademarks containing the term "Dresser" are the property of Dresser, LLC, a subsidiary of Baker Hughes.



www.dresserutility.com

D1000 Meter Fact Sheet NGS.MI.0030a
07.21